

Date / /

Track

Name of Drive

Size: Open Med. Tigh
Traction: High Med. Low
Surface: Smooth Med. Bum

Engine	Plug	Muffler	Clutch Spring	Clutch Shoe	Tire	Tire Insert	Wheel	Body	Fuel
			φ ___ x ___		Model:				
					Compounds:				

Diff Gear Set-Up

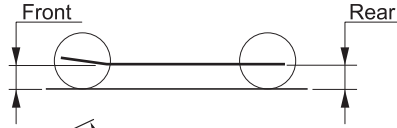
	Front	Center	Rear
Diff. Fluid	#	#	#
	___ x ___ T	___ x ___ T	___ x ___ T

Shock Set-Up

Cap <input type="checkbox"/> Bladder <input type="checkbox"/> Emulsion	Front	Rear
Oil Brand: _____	#	#
Spring Collar Spacer	mm	mm
Pistons	φ ___ x ___	φ ___ x ___
Spring		

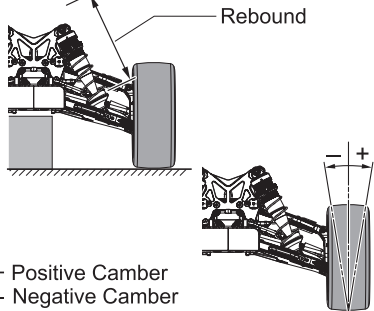
Ride Height

Front	Rear
mm	mm



Rebound

Front	Rear
mm	mm



Camber Angle

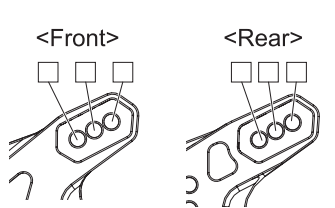
Front	Rear
+ °	+ °
- °	- °

+ Positive Camber
- Negative Camber

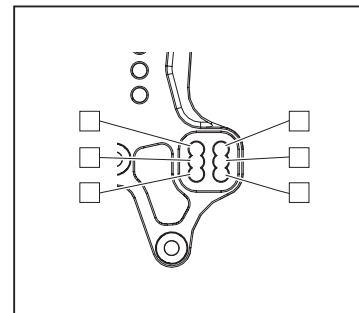
Wheelbase _____ mm

Track Width _____ mm

Shock Mount Position



Rear Upper Arm Position



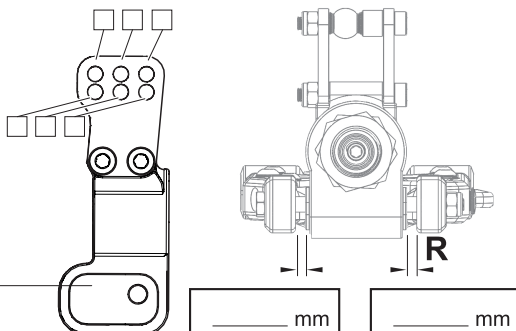
Sus. Arm

Front	<input type="checkbox"/> In	<input type="checkbox"/> Out
Rear	<input type="checkbox"/> In	<input type="checkbox"/> Out

Rear Hub

Plastic
 Aluminum

Hub Carrier Bush
 Plastic



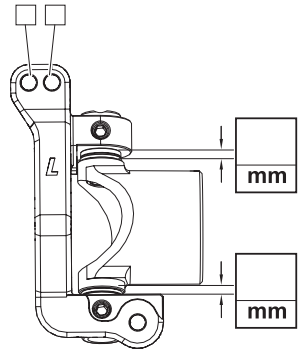
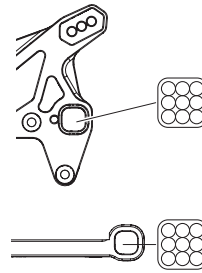
Arm

Front	Rear
<input type="checkbox"/> Soft	<input type="checkbox"/> Soft
<input type="checkbox"/> Hard (Std.)	<input type="checkbox"/> Hard (Std.)
<input type="checkbox"/> _____	<input type="checkbox"/> _____

Front Hub Carrier

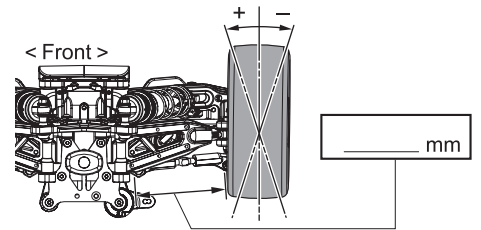
Plastic Aluminum
 16° 20° _____°

Front Upper Arm Position



Toe Angle

Front	
+	°
-	°



Front Toe-In

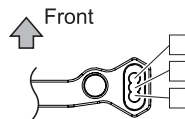


Rear Toe-In

C AND D BLOCK INNER COLUMN CANNOT BE USED

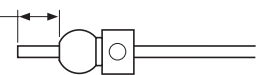


Steering Plate



Sway Bar

Front	Rear
φ	φ
mm	mm



Wing

High Force
 Holes
 Without

Wing Position / Angle

H M L
 H M L

0°
 +1.5°
 +3°

Notes