

Date / /

Track

Name of Drive

Size:  Open  Med.  Tigh  
Traction:  High  Med.  Low  
Surface:  Smooth  Med.  Bum

Engine	Plug	Muffler	Clutch Spring	Clutch Shoe	Tire	Tire Insert	Wheel	Body	Fuel
			$\varphi$ ___ x ___		Model :				
					Compounds:				

**Diff Gear Set-Up**

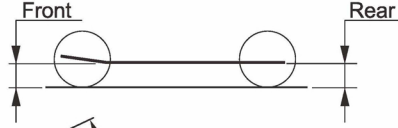
	Front	Center	Rear
Diff. Fluid	#	#	#
	___ x ___ T	___ x ___ T	___ x ___ T

**Shock Set-Up**

Cap <input type="checkbox"/> Bladder <input type="checkbox"/> Emulsion	Front	Rear
Oil Brand: _____	#	#
Spring Collar Spacer	mm	mm
Pistons	$\varphi$ ___ x ___	$\varphi$ ___ x ___
Spring		

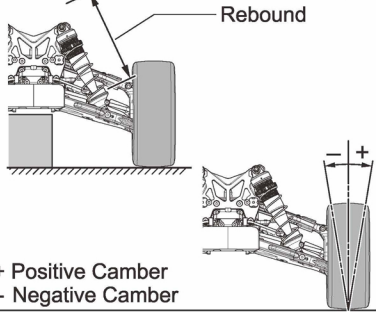
**Ride Height**

Front	Rear
mm	mm



**Rebound**

Front	Rear
mm	mm



**Camber Angle**

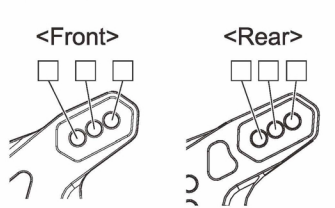
Front	Rear
+ °	+ °
- °	- °

+ Positive Camber  
- Negative Camber

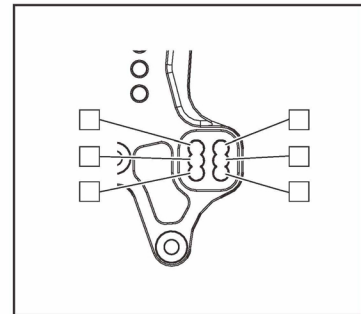
**Wheelbase** \_\_\_\_\_ mm

**Track Width** \_\_\_\_\_ mm

**Shock Mount Position**



**Rear Upper Arm Position**



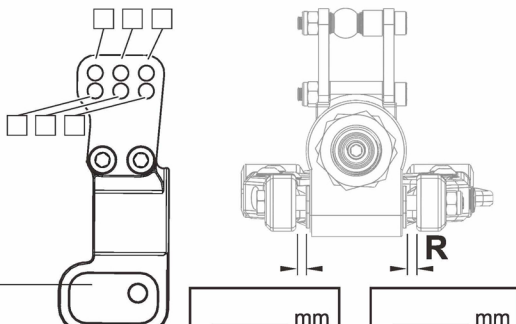
**Sus. Arm**

Front	<input type="checkbox"/> In	<input type="checkbox"/> Out
Rear	<input type="checkbox"/> In	<input type="checkbox"/> Out

**Rear Hub**

Plastic  
 Aluminum

Hub Carrier Bush  
 Plastic  
 \_\_\_\_\_



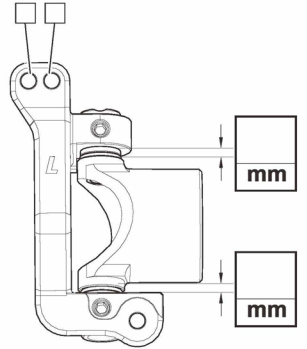
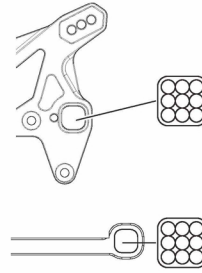
**Arm**

Front	Rear
<input type="checkbox"/> Soft	<input type="checkbox"/> Soft
<input type="checkbox"/> Hard (Std.)	<input type="checkbox"/> Hard (Std.)
<input type="checkbox"/> _____	<input type="checkbox"/> _____

**Front Hub Carrier**

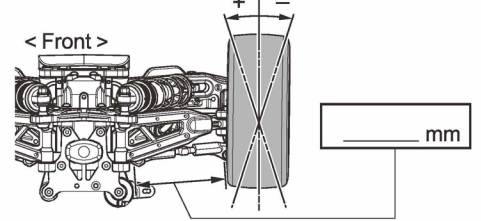
Plastic  Aluminum  
 16°  20°  \_\_\_\_\_°

**Front Upper Arm Position**



**Toe Angle**

Front	
+	°
-	°



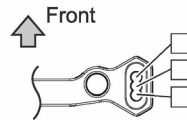
**Front Toe-In**



**Rear Toe-In**



**Steering Plate**



**Sway Bar**

Front	Rear
$\varphi$	$\varphi$
mm	mm

**Wing**

High Force   
 Holes   
 Without

**Wing Position / Angle**

H  
 M  
 L  
 H  
 M  
 L

0°  
 +1.5°  
 +3°

**Notes**